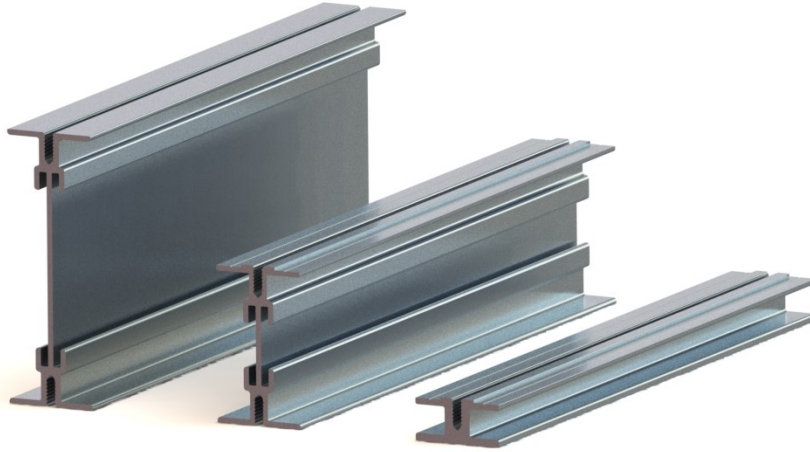
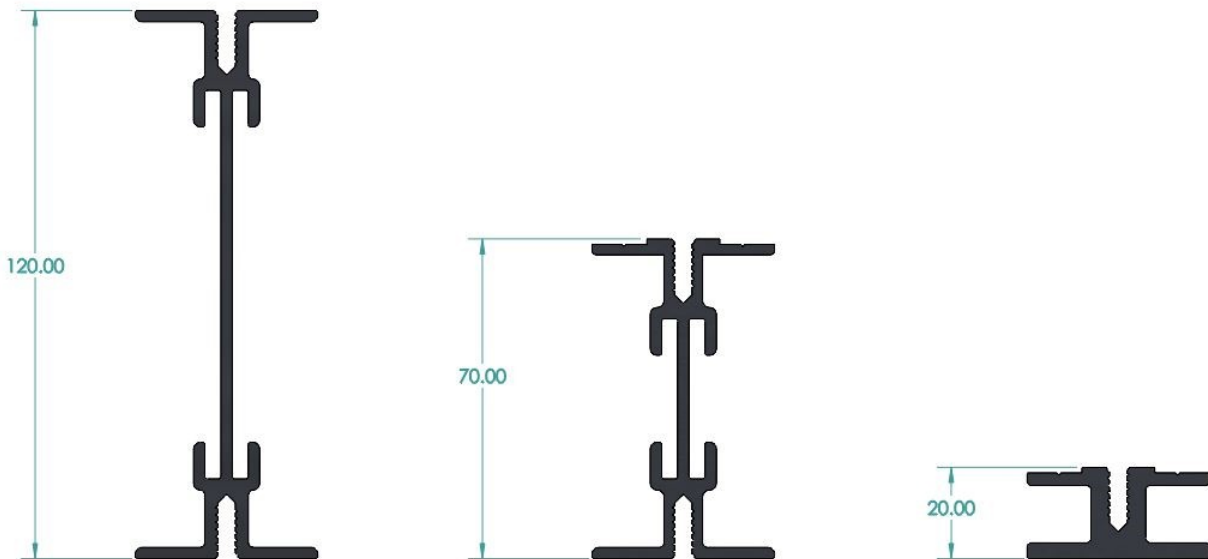


ALUMINIUM DECKING



Mextru's base system come in 3 heights to cover all you base needs

Mextru are a leading manufacturer of aluminium decking. Our system being of all aluminium construction is fire resistant , very competitive, and has several unique features, including the best non-slip surface on the market, with virtually no maintenance required.



Aluminium Decking by Mextru is a complete decking system, with one of the most advanced, high strength substructure systems available on the market. The base structure is available in 3 standard heights to cover all your requirements, and all beam options are the same width, and use the same unique fixing system, which dramatically cuts down on-site installation time.

Engineered in the UK by Mextru

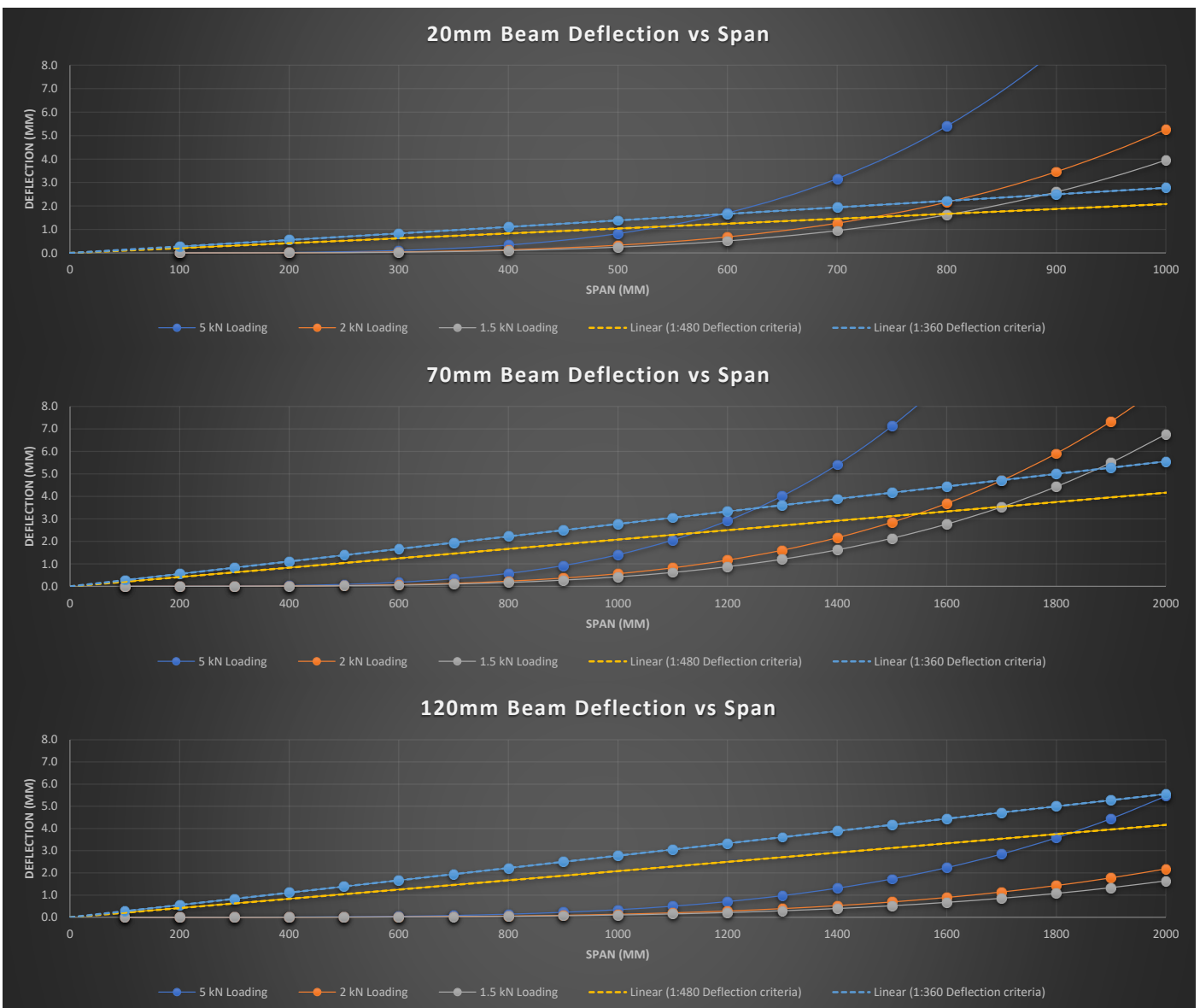
www.mextru.com sales@mextru.com



Technical Data

	20mm Beam	70mm Beam	120mm Beam
Fire rating (all metal construction)	A1—Non Combustible	A1—Non Combustible	A1—Non Combustible
Weight	0.99 kg/m	1.47 kg/m	1.87 kg/m
Material	Aluminium 6063 T6	Aluminium 6063 T6	Aluminium 6063 T6
Beam Height	20 mm	70 mm	120 mm
Beam Width	40 mm	40 mm	40 mm

Loading deflection (kN/m²) - Assumed to act on 2 beams



Engineered in the UK by Mextru

www.mextru.com sales@mextru.com

