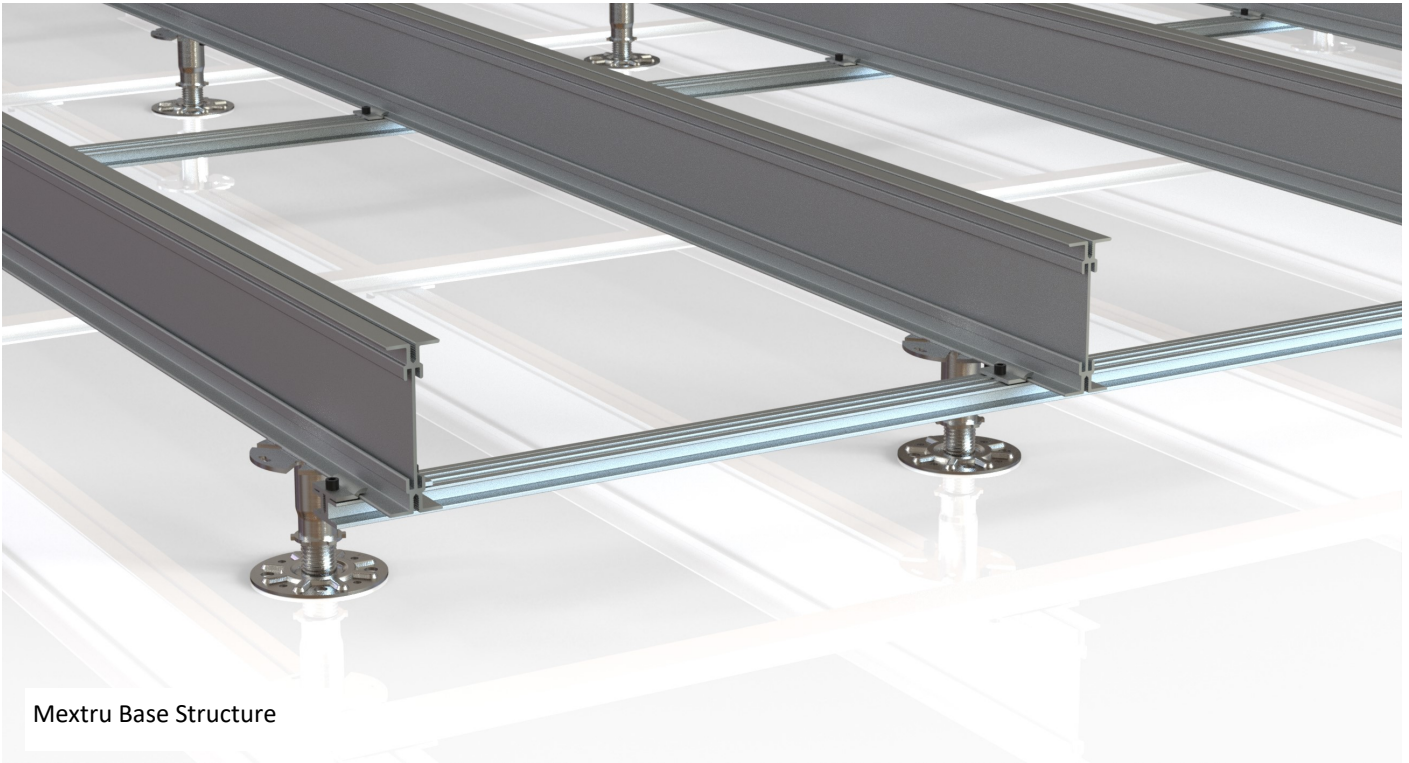


# MEXTRU

The home of aluminium systems

## Base Structure System



Mextru Base Structure

### All projects start with good foundations

Mextru's base structure system is one of the most comprehensive and easy to install system available on the market. It is designed around 4 primary joists, which are 20, 30, 70 and 120mm tall. The joists are joined with a series of clips and brackets to create the desired shape and provide support to the upper surface in the correct locations.

The Mextru base structure system is completely compatible with our ranges of paving and decking products. It is even possible to change between paving and decking within the same installation.

The system is amazingly environmentally friendly, as it is manufactured from recycled aluminium and is fully recyclable at end of life.



A1 Fire Rated



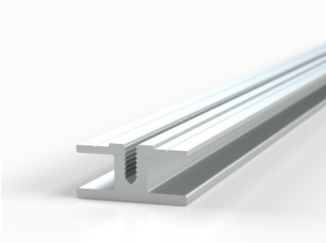
Recyclable

# MEXTRU

The home of aluminium systems

## Base Structure System

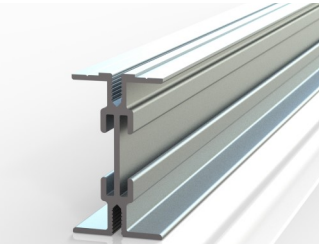
### Joist options



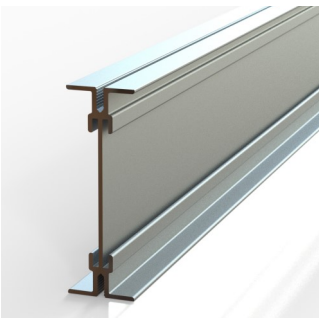
20mm Joist—Used where low buildup is required. Not suitable for large unsupported spans.



30mm Joist—Used for low buildup areas, but also designed to be bolted directly onto pedestals where a portion of a paved area cannot be supported directly on pedestals. Also intended for steel balconies to facilitate the decking board installation



70mm Joist—Used extensively for decked areas that are supported by pedestals or posts. Designed for unsupported spans of up to 1,000mm. Employs the Mextru patented side cleat system for perpendicular jointing of joists.



120mm Joist—Used extensively for paved areas that are supported by pedestals or posts. Designed for unsupported spans of up to 1,700mm. Provides slightly better base for paving than the 70mm joist due to its reduced deflection.

Employs the Mextru patented side cleat system for perpendicular jointing of joists.

# MEXTRU

The home of aluminium systems

## Base Structure System

### Support Options

The support of the base structure is provided by directly mounting onto a solid substrate, by mounting on posts or by mounting on our extensive range of pedestals (with or without slope compensation). The three options are shown below:



Using the anchor clip to attach the joist directly to an existing substrate. This might be a concrete slab, an existing patio, or onto a brick wall. The anchor clip is deployed either side of the joist to ensure the joist cannot twist.

Using a pedestal to support the joist, pedestal spacing can be as great as 1700mm, depending on the joist selection and the choice of decking or paving.

The pedestal option gives a great deal of flexibility and allow the base structure system to be installed over uneven ground or spanning varying heights.

The pedestals may also be equipped with the Mextru slope compensator where the terrain is laid to a fall.



The base structure may also be installed using a post. The structure is bolted directly to the post, which is then concreted into the ground. Providing the ground works are dug to an appropriate depth, the base structure will provide an incredibly solid foundation for either the paving or decking.

# MEXTRU

The home of aluminium systems

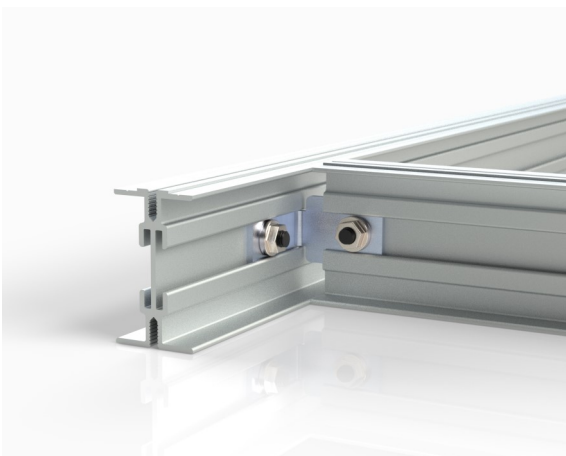
## Base Structure System

### Arrangement Examples



When installing paving on pedestals alone, it is virtually impossible to support the tiles properly in tight corners. Using rails supported by pedestals it is easy to pave into an awkward corner. The Mextru system allows the installer to swap from pedestals alone to rails and pedestals across the area of a site. By maximizing the installation options difficult site can be made easy.

Using the 20mm joist as a racking joist to maintain the main joist spacing. The racking joist approach allows for rapid site modifications and does not require the drilling of any holes



Using the joist bracket kit to form a corner joist