

MEXTRU

The home of aluminium systems

Pedestal Range



Mextru Outdoor Pedestals

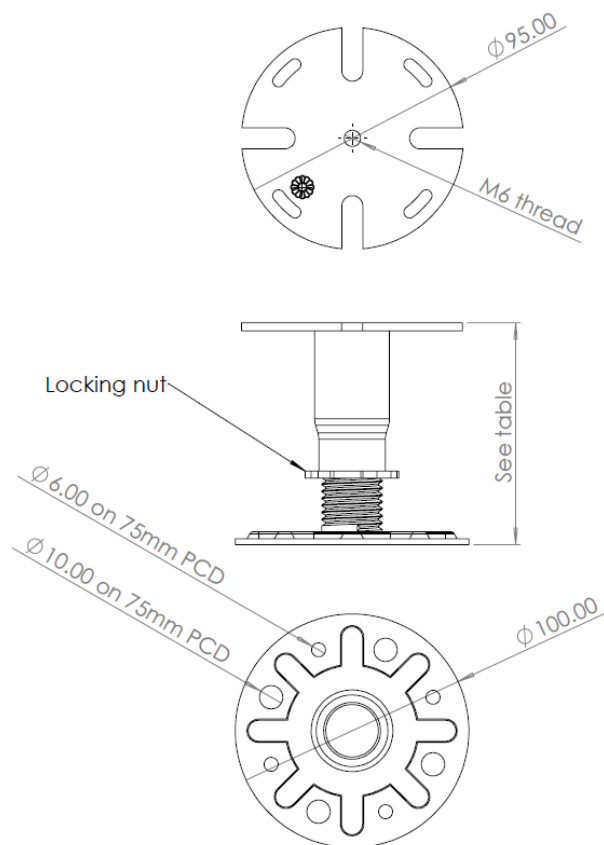
Mextru's outdoor pedestals have been designed for ease of installation, adjustment and with optional upgrades to cover slope correction and direct tile installation.

The pedestals have been coated in a unique finish to give unrivalled environmental protection.

Mextru pedestals are designed to work directly with the Mextru base structure system, and also with our stunning range of porcelain tiles.

The working range of the pedestals are shown in the table. To order a pedestal, simply select the part number which corresponds to the working range that is required.

Part Number	Working range (mm)	
	Minimum	Maximum
Mex Ex Ped 001	26	35
Mex Ex Ped 002	30	40
Mex Ex Ped 003	40	50
Mex Ex Ped 004	50	70
Mex Ex Ped 005	60	90
Mex Ex Ped 006	75	115
Mex Ex Ped 007	90	140
Mex Ex Ped 008	110	185
Mex Ex Ped 009	135	210
Mex Ex Ped 010	150	225
Mex Ex Ped 011	185	260
Mex Ex Ped 012	200	275
Mex Ex Ped 013	235	310
Mex Ex Ped 014	250	325
Mex Ex Ped 015	300	375
Mex Ex Ped 016	350	425
Mex Ex Ped 017	400	475
Mex Ex Ped 018	450	525
Mex Ex Ped 019	500	575
Mex Ex Ped 020	550	625
Mex Ex Ped 021	600	675



Pedestal Dimensions

All pedestals are dimensionally identical, except for the height.



A1 Fire Rated

MEXTRU

The home of aluminium systems

Pedestal Range

Optional upgrades

The Mextru range of pedestals can be upgraded to give slope correction up to 5°. The slope compensator fits directly on the top of the pedestal and can be fitted either way up. When installed as shown in the picture, the compensator can be used directly with the Mextru range of porcelain tiles.

If the compensator is flipped over it can be used directly with the Mextru base structure range of products.

The slope compensator is easy to adjust and can be fixed at the desired angle. At just 15mm tall it is the lowest build up slope compensator available on the market.

As with all Mextru products, the slope compensator is a fully metal construction and complies with A1 fire ratings



Mextru Slope Compensator



Mextru Tile Spacer

The Mextru tile spacer is designed to work seamlessly with the Mextru pedestals. The tile spacer simply pushes into the hole in the center of the pedestal top plate, thus creating a 4 way tile spacer. For sites requiring a brick bond pattern one or more of the tabs can be snapped off the spacer.

The spacer is produced from anodized aluminium and is designed to give a long, maintenance free life.

Best of both

As all of Mextru's range of pedestals and base structure are all fully compatible, it is possible to have a large paved area installed directly on pedestals, with just awkward areas supported on the base structure mounted on the pedestals, thereby keeping costs down and increasing installation flexibility.



A1 Fire Rated